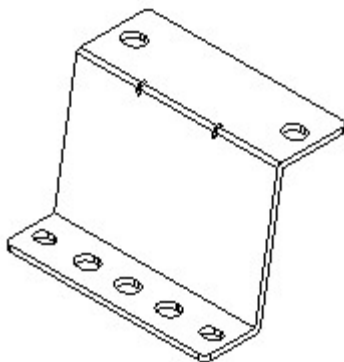


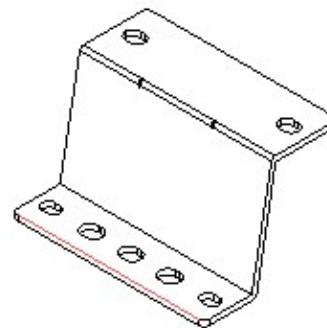
**SUPPLIED FIXING KIT**

DESC	QTY
M8X20mm BOLT	30
M8 NYLOC NUT	12
M8 WASHER	36
M8 SPRING WASHER	12
M8X25mm BOLT	4
100mm LENGTH FOAM	6

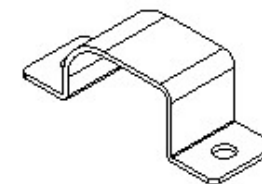
1



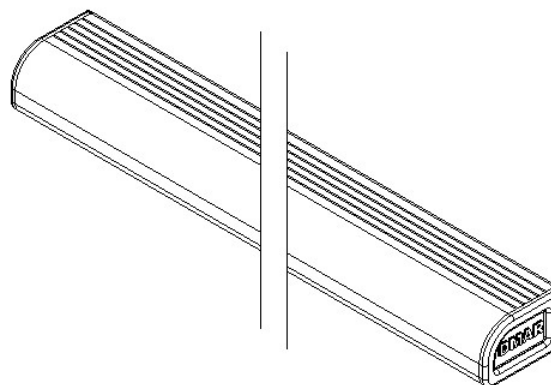
2



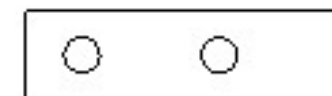
3



4



5

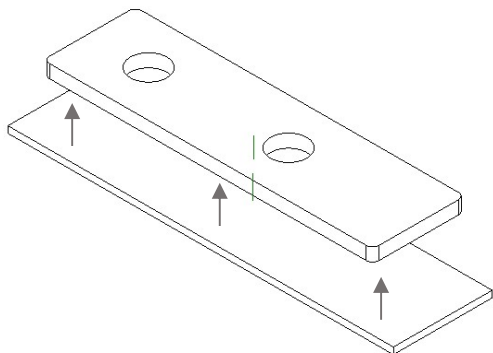


**SUPPLIED COMPONENTS**

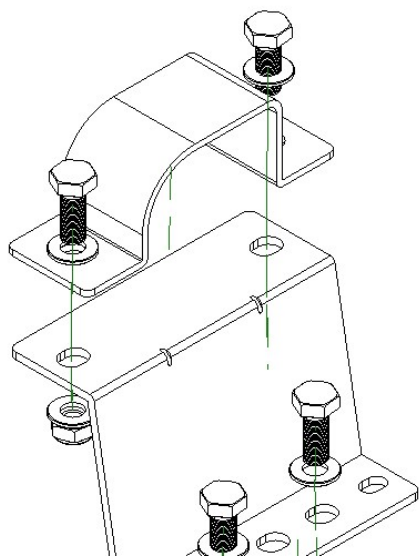
#	DESC	QTY
1	RRP99	4
2	RRP98	2
3	RRP129	6
4	D BAR	3
5	SP13 PLASTIC PACKER	6

Remove the inserts from the van roof in the front and rear roof bar mounting positions.

Stick the foam to the SP13 plastic packer.

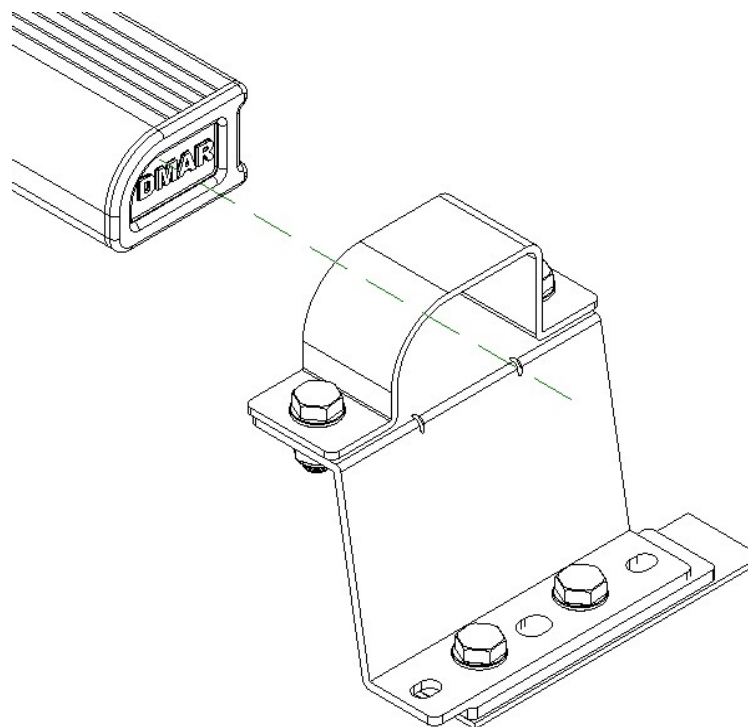


Bolt the RRP129 to the top of the RRP99 and RRP98.



Leave all nuts finger tight at the moment.

Slide the bar into place and make sure it is centrally positioned.



At this stage, all nuts and bolts can be tightened.



Once in position, tighten all fixings to **8Nm**. Periodically check all fixings.



NOTE: the taller RRP99 brackets go on the front and rear mounting positions on the van roof.

The lower RRP98 bracket goes in the central mounting position on the van roof.