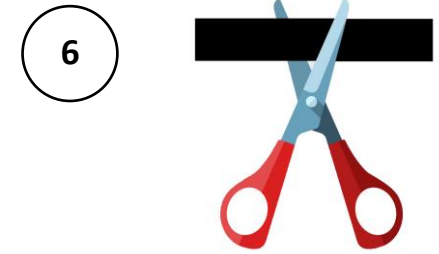
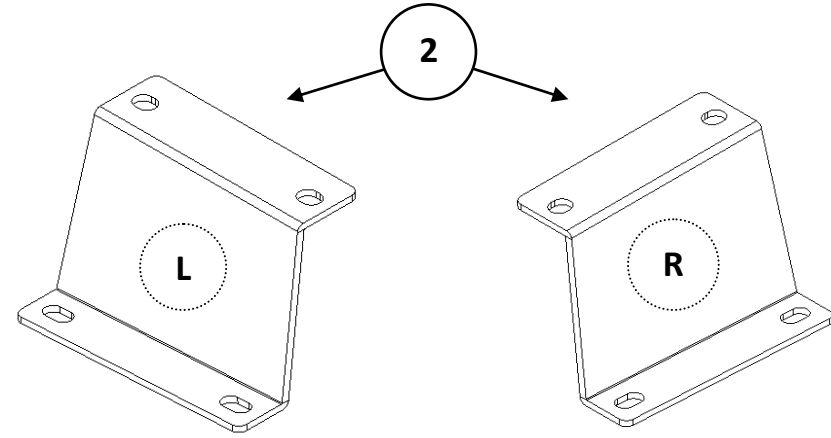
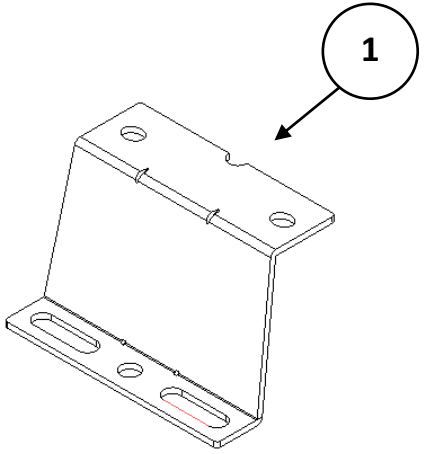
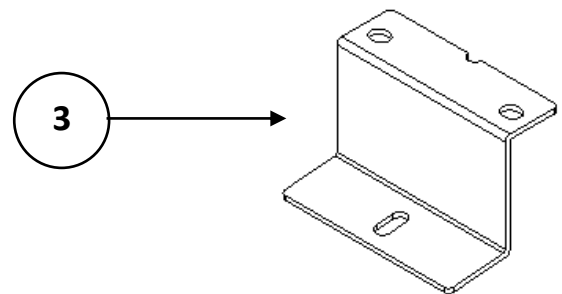
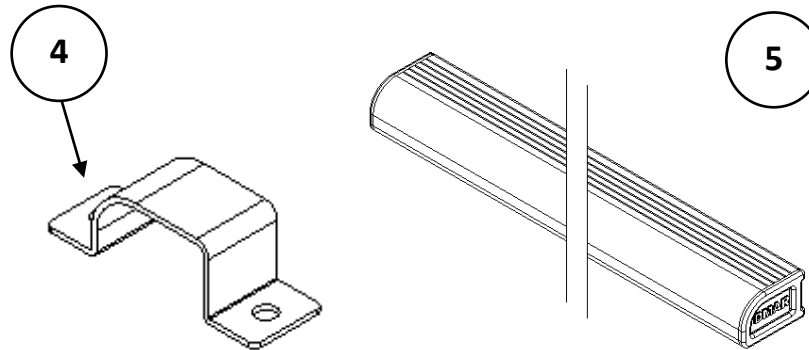


SUPPLIED FIXING KIT

DESC	QTY
M8X20mm BOLT	12
M6X20 BOLT	10
M8 NYLOC NUT	12
M8 WASHER	24
M6 SPRING WASHER	10
M6 WASHER	10

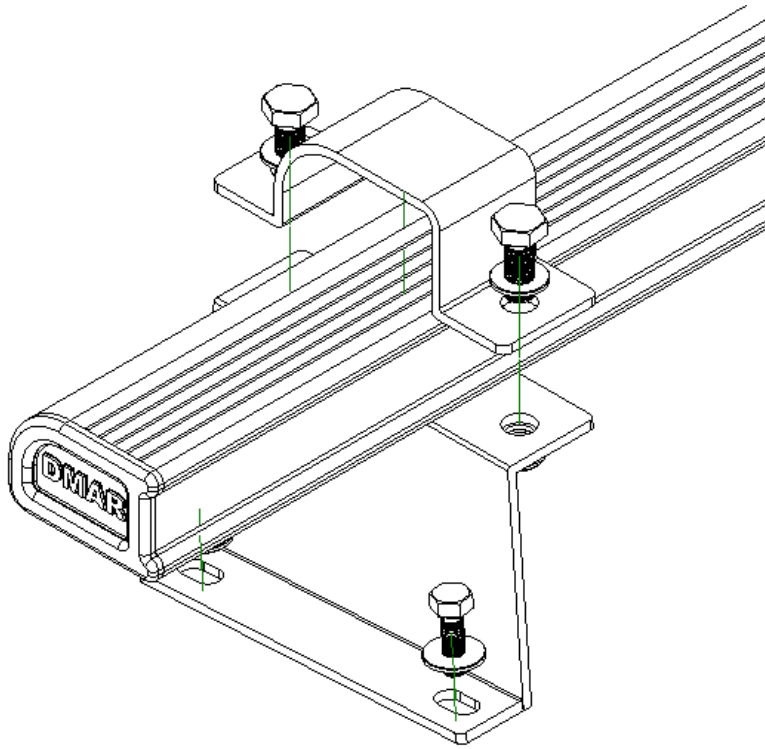
SUPPLIED COMPONENTS

#	DESC	QTY
1	RRP77	2
2	RRP96	1L, 1R
3	RRP83	2
4	RRP129	6
5	D BAR	3
6	25mm FOAM	550mm
6	40mm FOAM	200mm



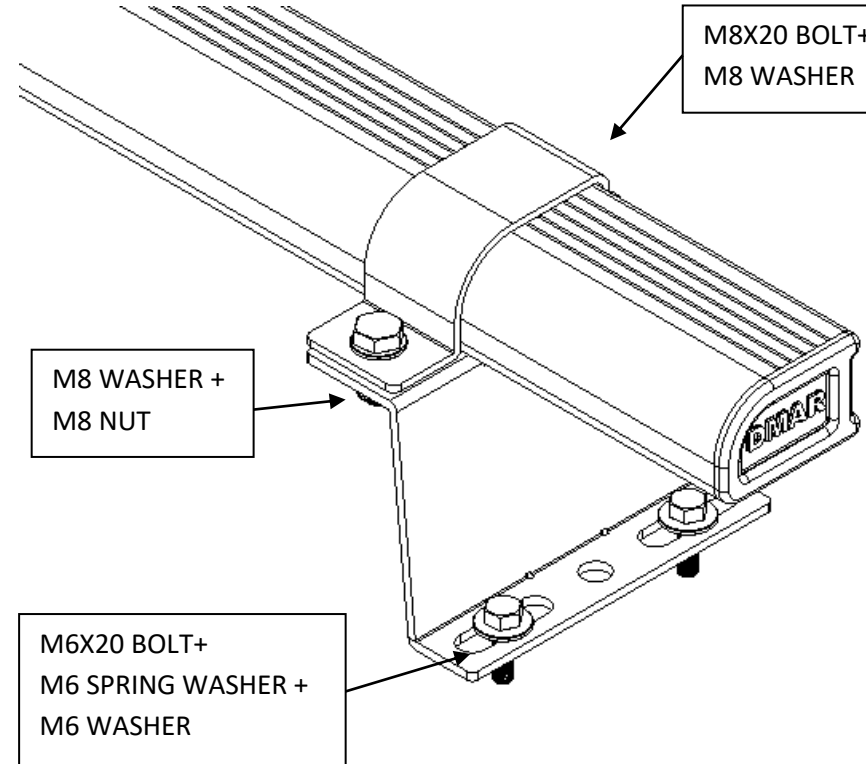
Cut the foam to length and stick to the bottom of the RRP77, RRP96 and RRP83. Then, pierce through hole.

Bolt the RRP129 to the top of the RRP77, RRP96 and RRP83 brackets.



Leave all nuts finger tight at the moment.

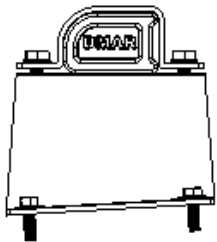
Slide the bar in position.



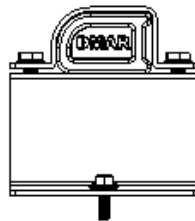
FRONT

Passenger side

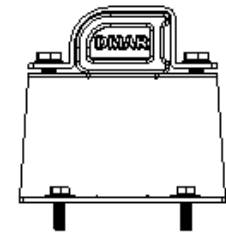
REAR



RRP96L

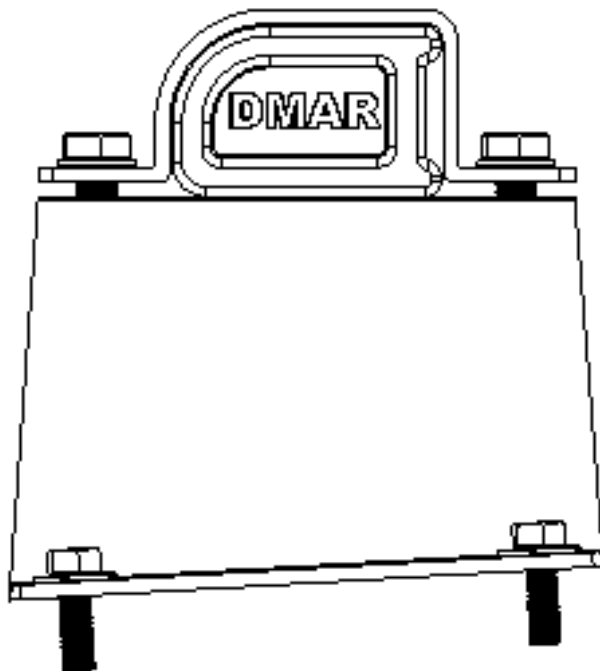


RRP83



RRP77

At this stage, all nuts and bolts can be tightened.



Make sure the bars are centrally positioned.



Once in position, tighten all fixings to **8Nm**.
Periodically check all fixings.



NOTES: Do not exceed vehicle manufacturers roof loading recommendations. Loads must be evenly distributed. All fixings and clamps need to be checked regularly for fatigue or wear and tightened or replaced when required. Paint damage to be touched up to prevent corrosion occurring. No liability is accepted by DEMAR for damage to vehicle or claims arising from use of roof rack. User must ensure all Health and Safety recommendations are complied.

