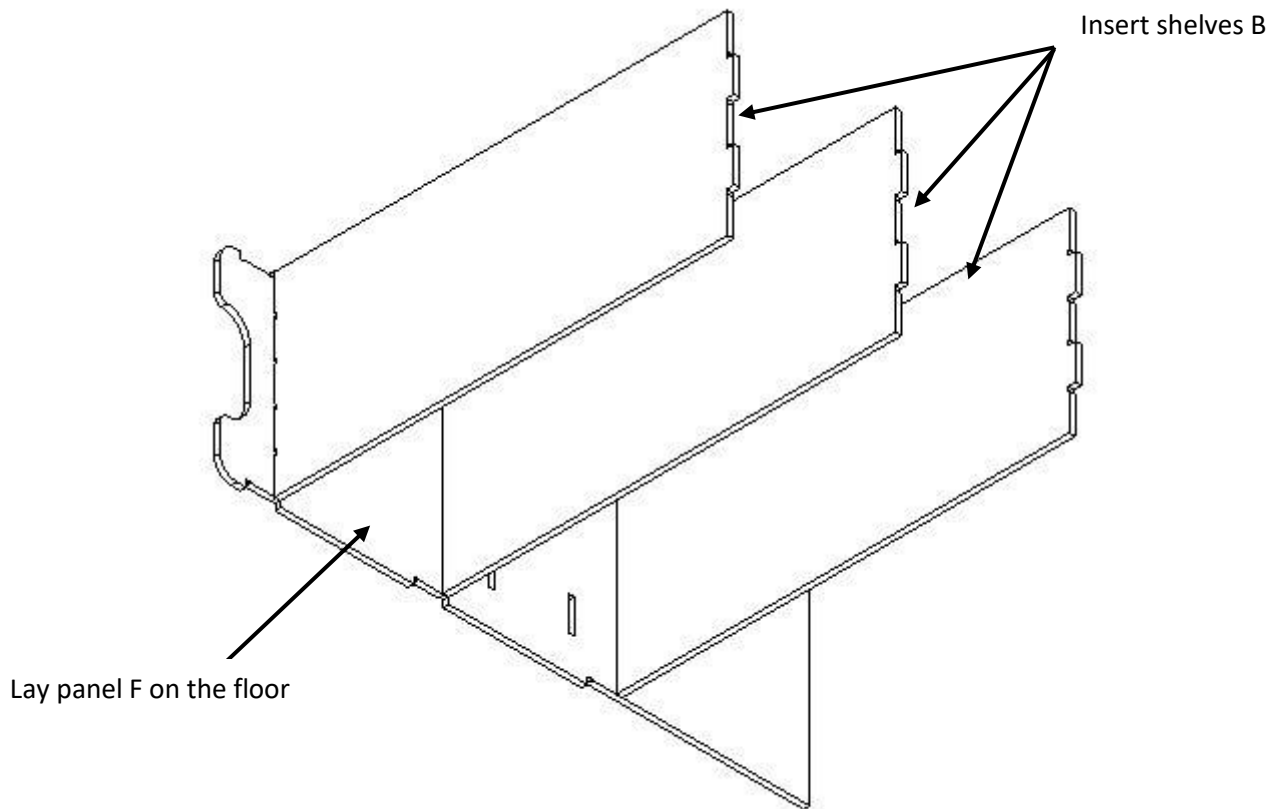
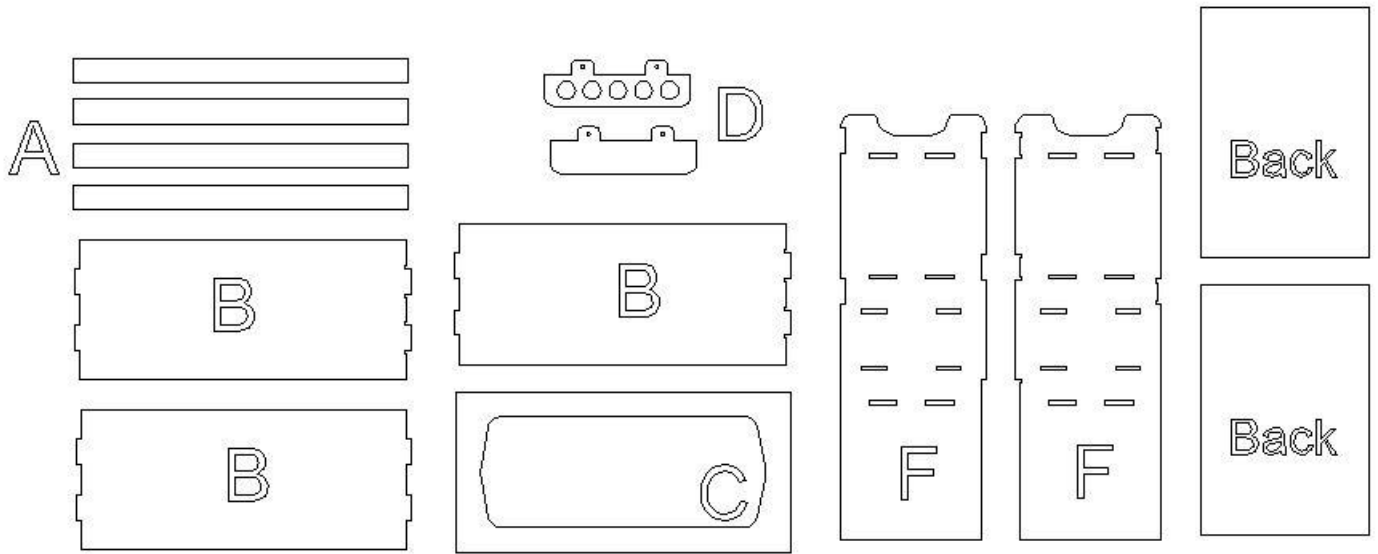
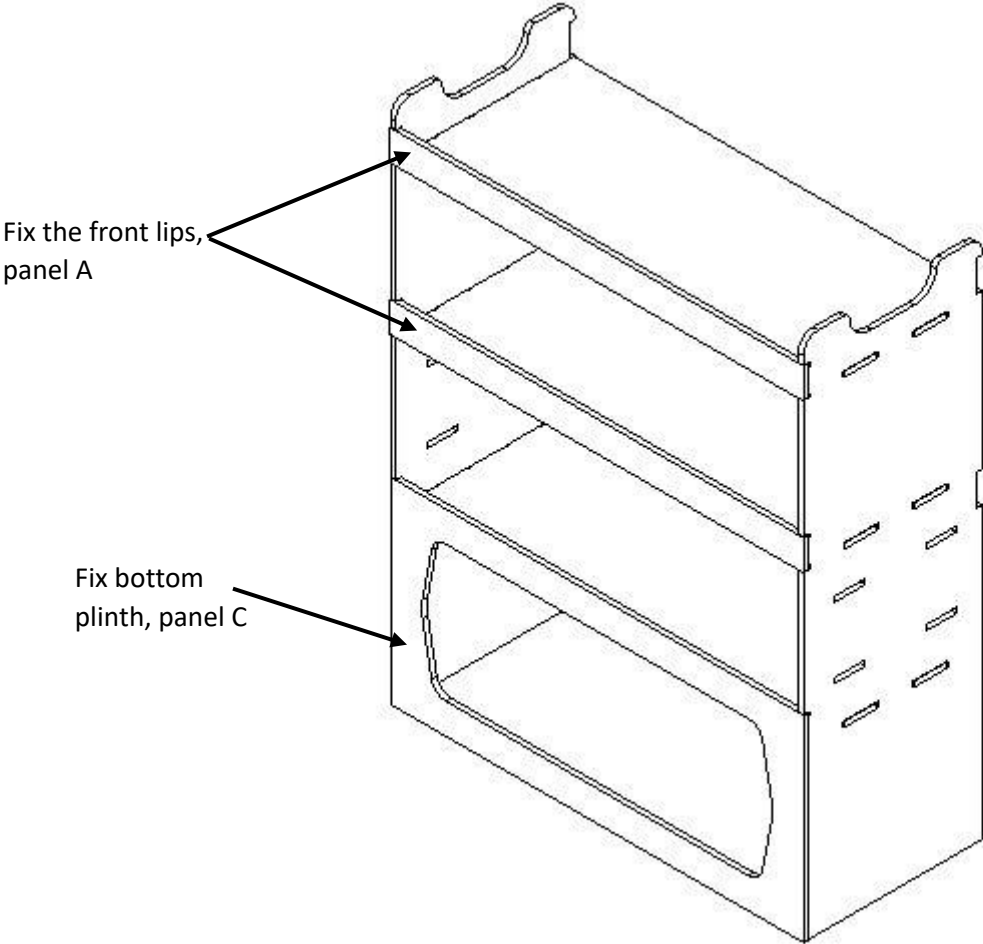
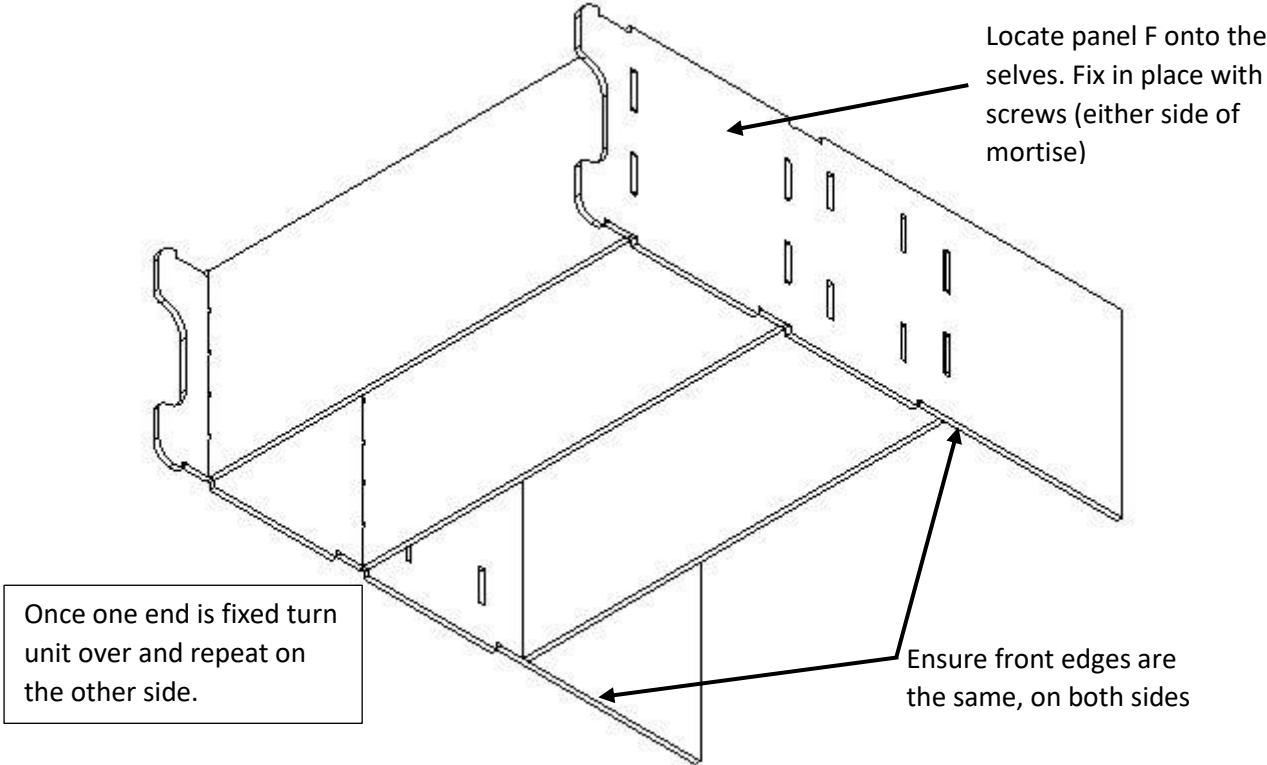
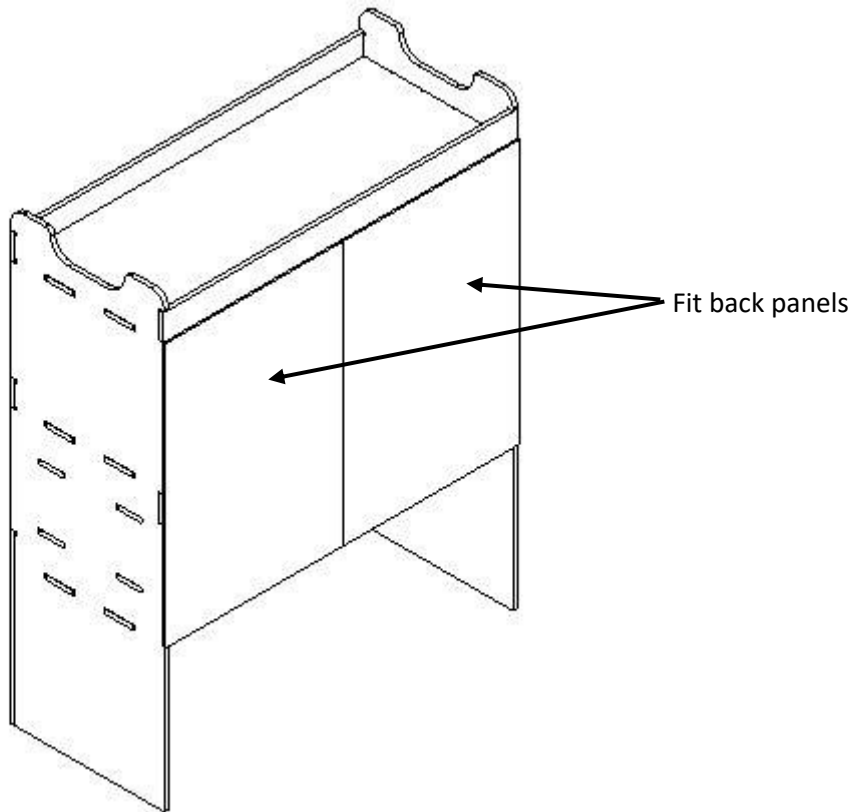
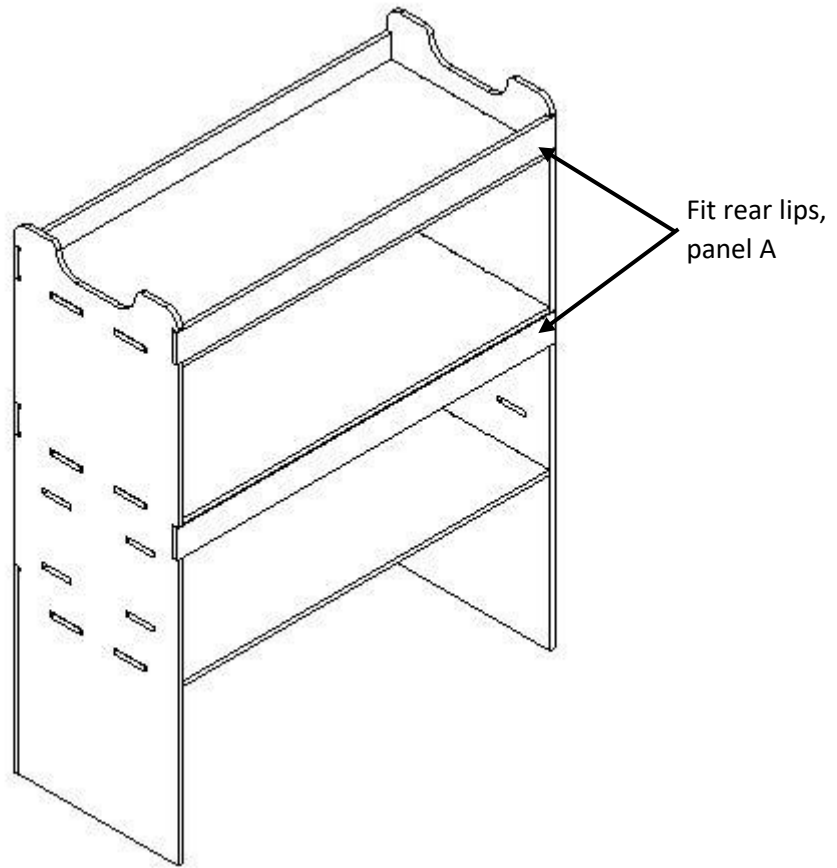
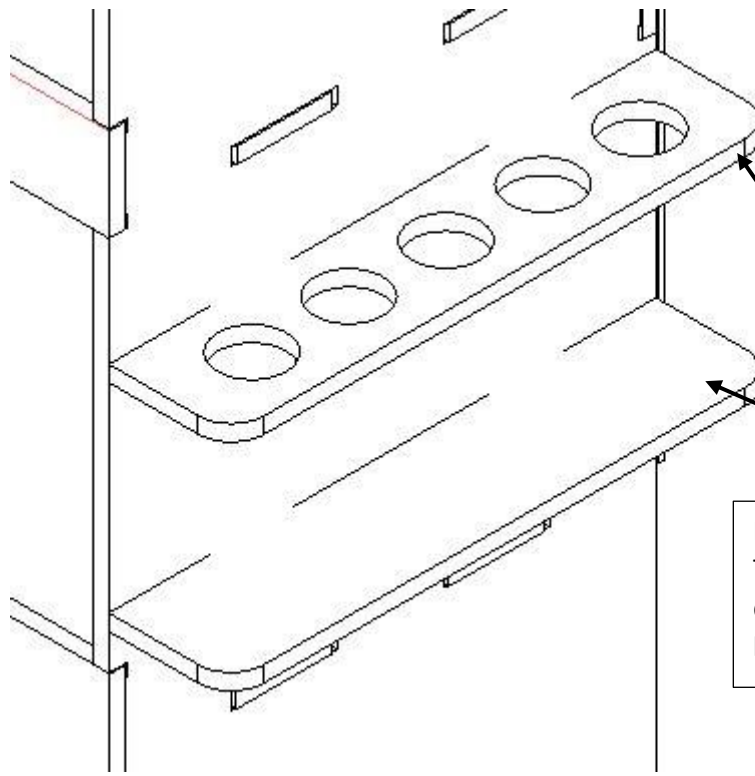


WR13 – assembly instructions









Fit silicon holders if required.
They can be retained by
dropping a bolt through the
hole. (bolts no provided)