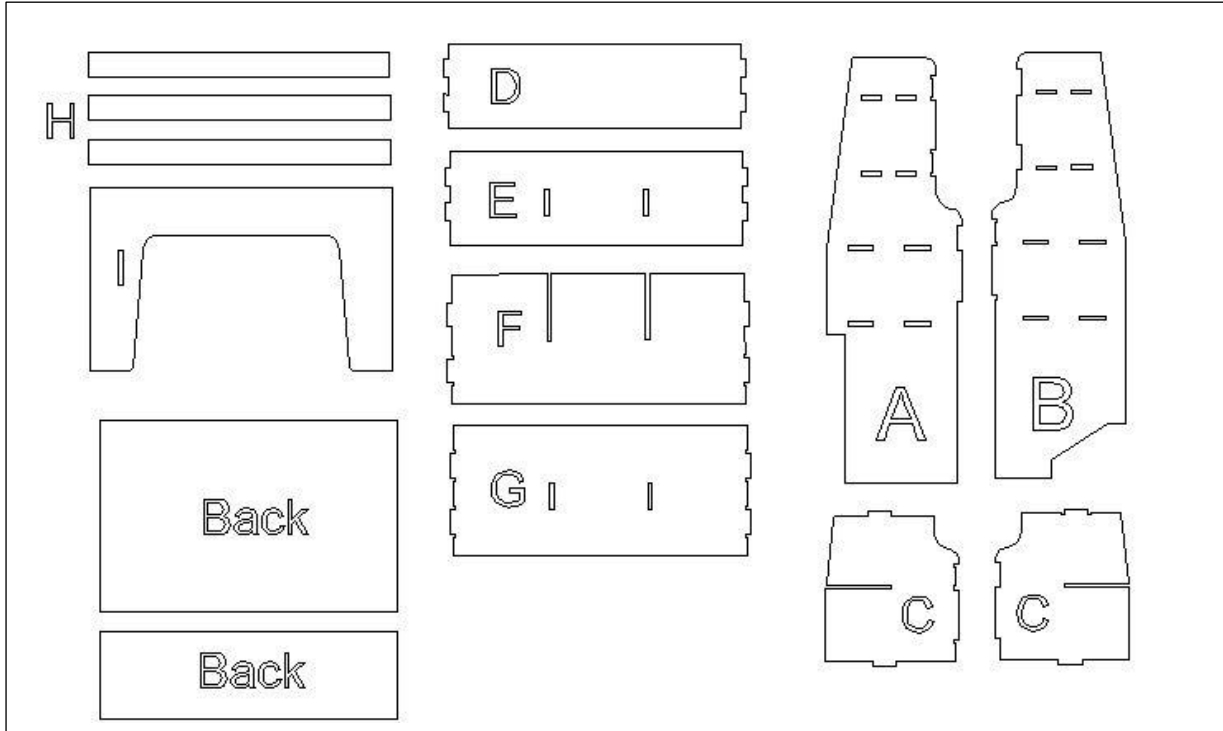
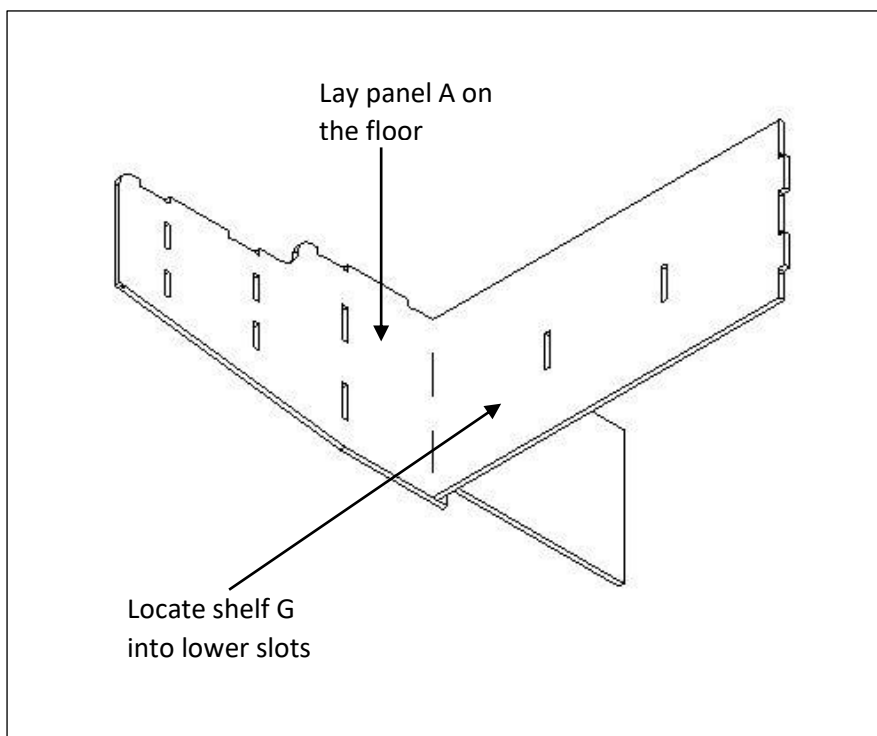


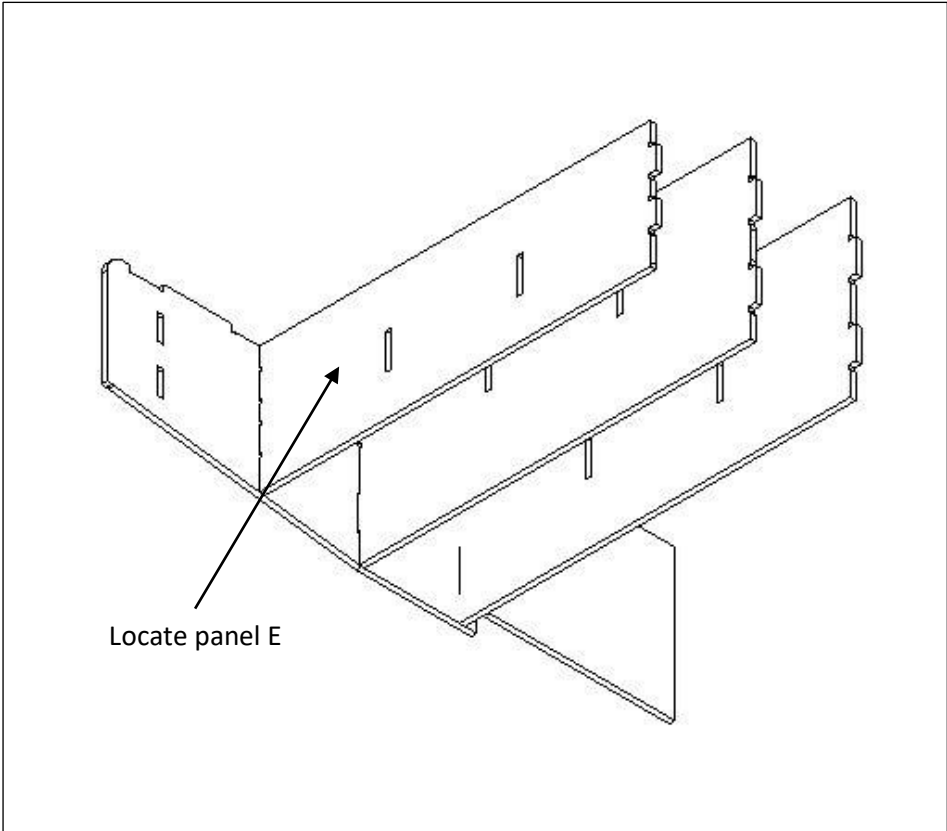
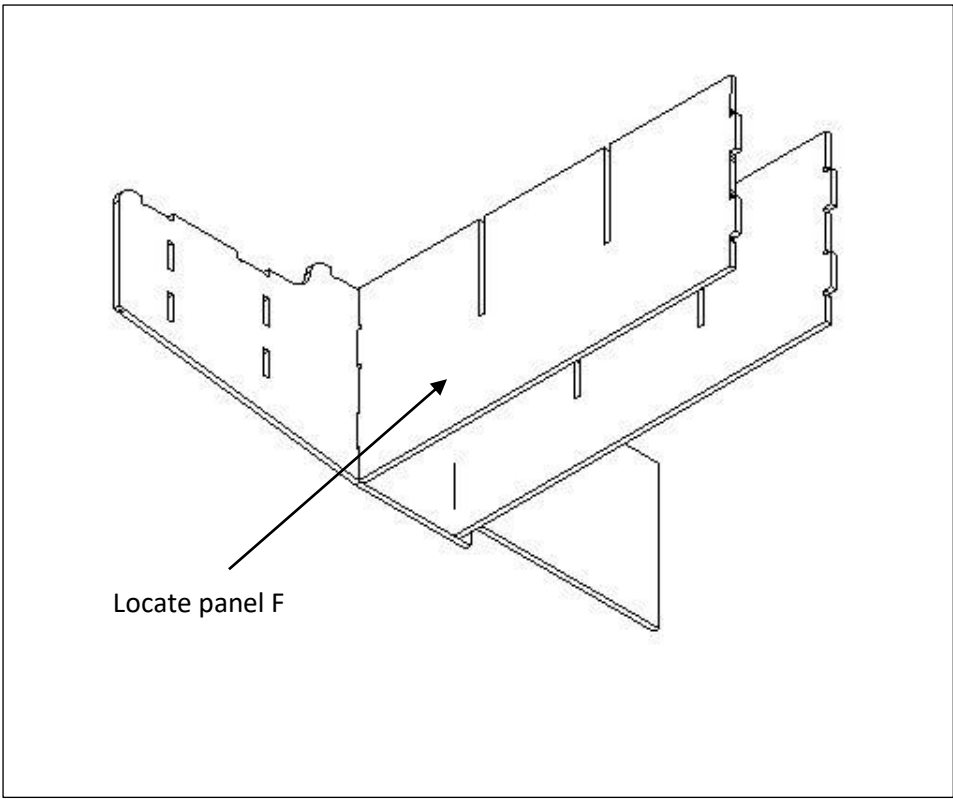


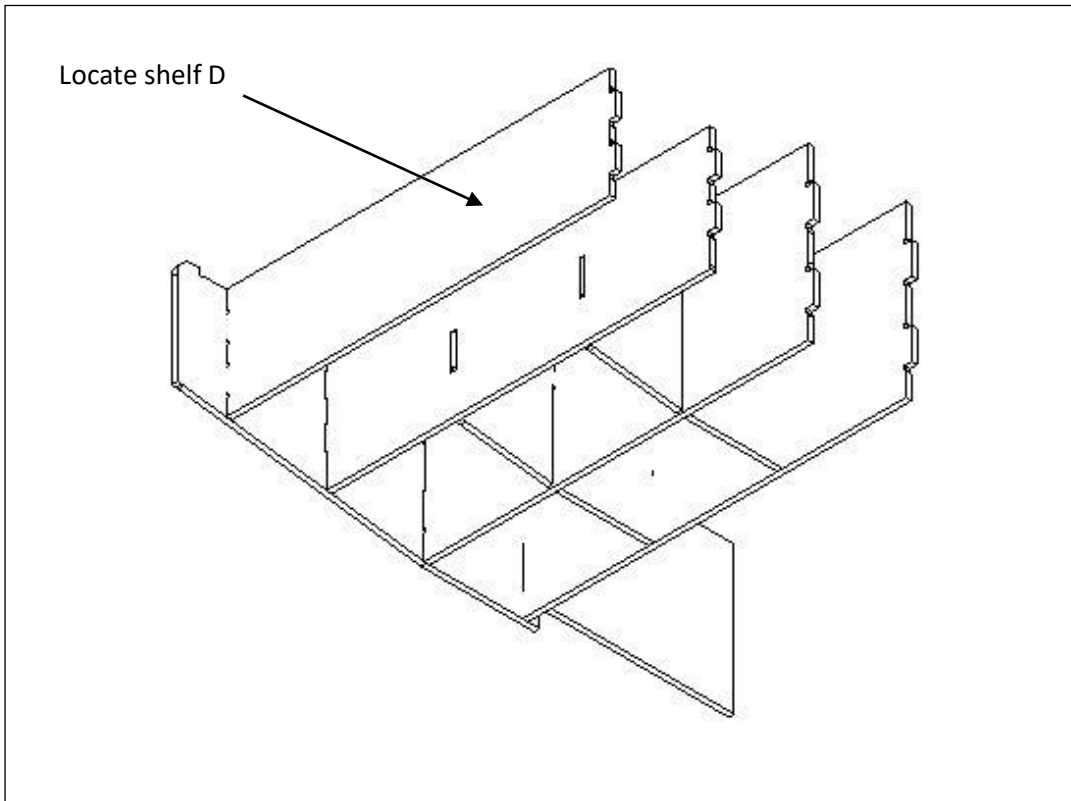
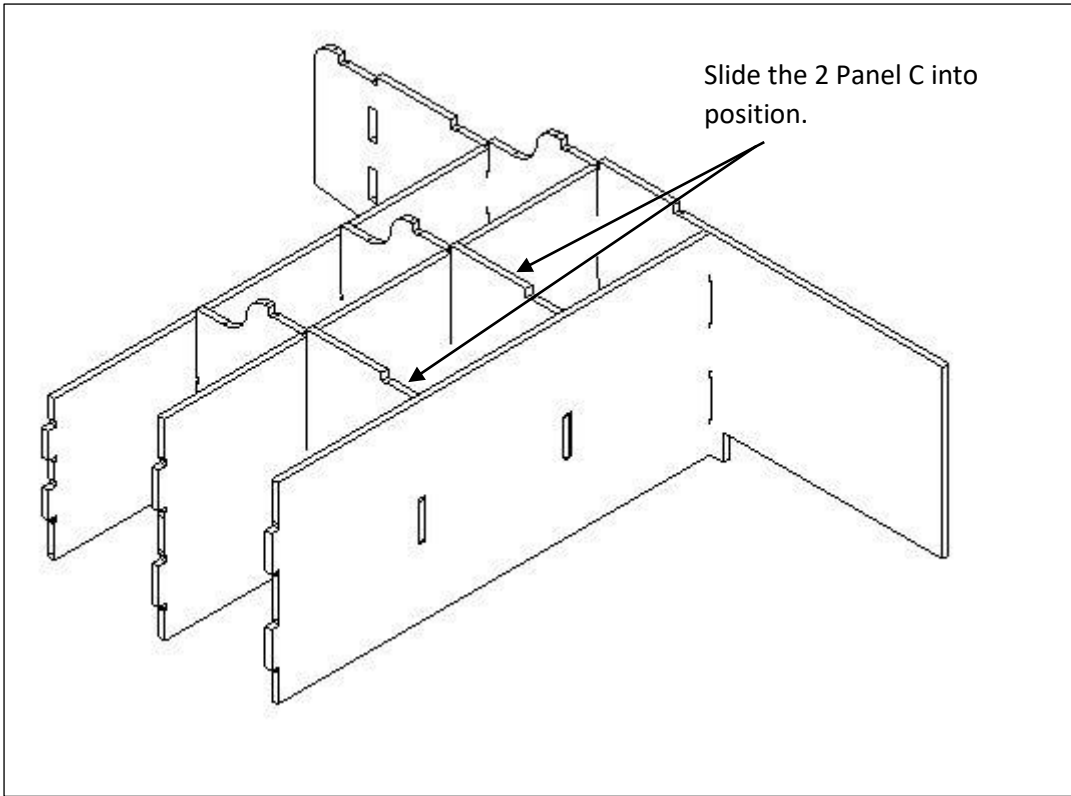
WR61 assembly instructions.

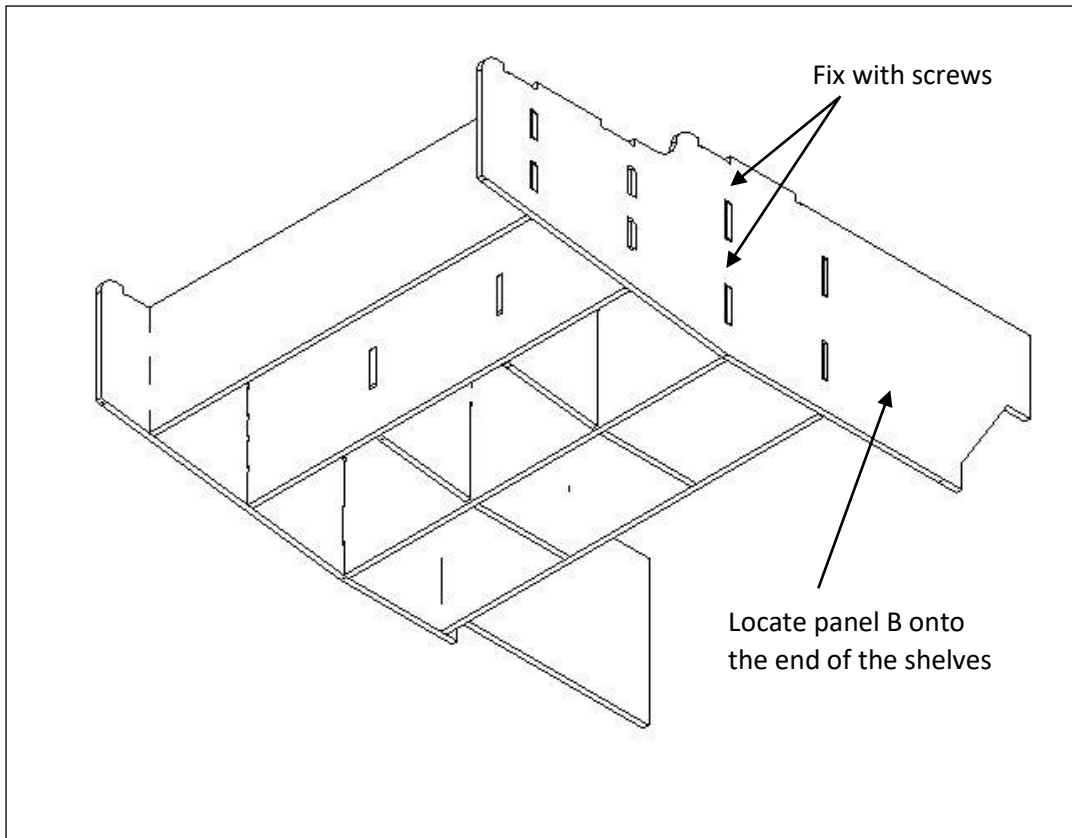


Note this unit is designed to work on either side of the van. Looking at the unit from the front if fitting to the drivers side of the van make sure panel "A" is on the left hand side. If fitting to the nearside of the van make sure that Panel "A" is on the right hand side of the unit. The following instructions are based on assembling a unit for the passengers side of the van. Swap panels A + B around if intending to fit on driverside.









Carefully turn the unit over, trying to not let the other end panel fall off. Secure other end panel with screws.

